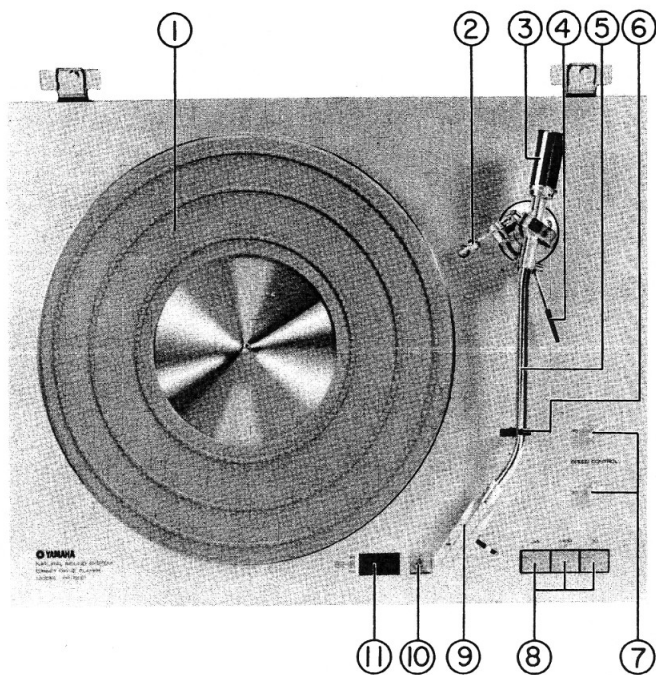


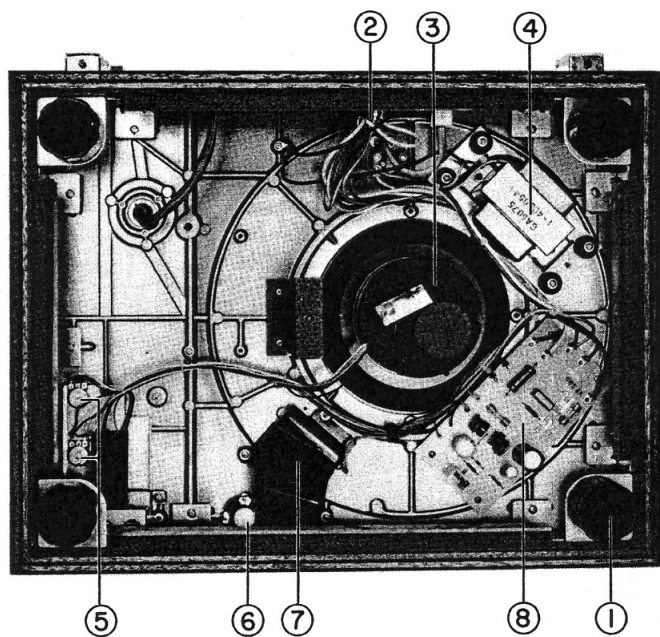
PARTS & CONTROLS

1. TOP SECTION



- ① Platter
- ② Anti-Skating
- ③ Main Weight
- ④ Arm Lifter
- ⑤ Tonearm
- ⑥ Arm Rest
- ⑦ Speed Control Knobs
- ⑧ Speed Selector Switches
- ⑨ Head Shell
- ⑩ Bubble Level
- ⑪ Stroboscope

2. BOTTOM SECTION



- ① Voltage Selector
- ② Motor
- ③ Power Transformer
- ④ Speed Control
- ⑤ Bubble Level Assembly
- ⑥ Stroboscope Assembly
- ⑦ Power Sheet
- ⑧ Insulator

CONTENTS

SPECIFICATIONS	1
PARTS & CONTROLS	
1. TOP SECTION	2
2. BOTTOM SECTION	2
DISASSEMBLY PROCEDURES	
1. BOTTOM PANEL REMOVAL	3
2. POWER CIRCUIT BOARD REMOVAL	3
3. MOTOR ASSEMBLY REMOVAL	3
CIRCUIT DIAGRAM	4
ADJUSTMENTS	
1. SPEED ADJUSTMENT	5
2. VOLTAGE CHECK	5
3. MOTOR ADJUSTMENT	5
4. OVERHANG ADJUSTMENT	5
5. ANTI-SKATING STRING ASSEMBLY	5
6. ANTI-SKATING FORCE ADJUSTMENT	5
7. HEAD SHELL LEAD CONNECTION	6
8. ACRYL DUST COVER ASSEMBLY	6
POWER CIRCUIT BOARD	6
PARTS LIST	7

SPECIFICATIONS

● MOTOR

Drive System	Direct Drive
Type	DC Servo Motor (12-pole, brushless)
Platter	31cm (12.5") Aluminum Diecast Weight: 2.0kg (4.4 lbs.)
Speeds	33-1/3, 45 rpm
Speed Controls	±3% ea. speed
S/N Ratio	Over 60dB
Wow & Flutter (WRMS)	Less than 0.03%

● TONEARM

Type	Static Balanced S Type
Length	242mm (9.5")
Overhang	15mm
Tracking Force Range	0-3g (in 0.25g increments) Direct-Reading Type
Usable Cartridge Weight	3-24g
Shell	Aluminum Diecast, Universal Plug-in Type (EIA)
Cueing System	Hydraulic Piston Lever (Down only)
Inside Force Cancellor	Counter Bar/Roller String System

● FEATURES

Bubble Level	Built Into Panel
Mirror Stroboscope	Built Into Panel
Acryl Dust Cover	Removable, Free-Stop System
Large-Scale Insulators	Height Adjustable

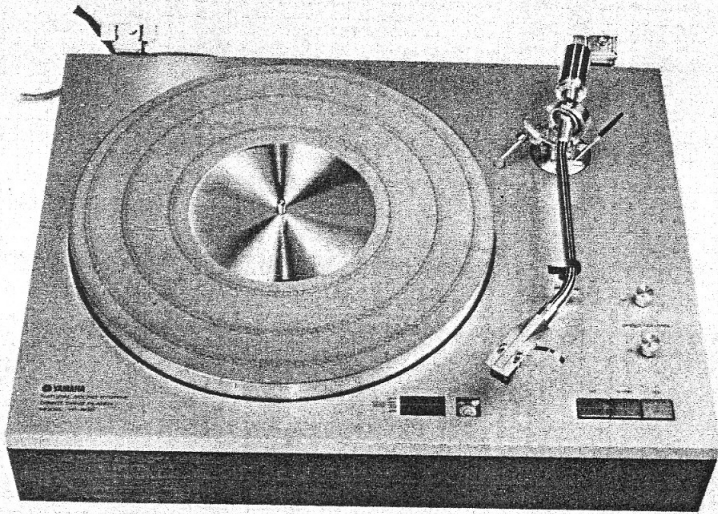
● GENERAL

Power Source	AC100-240V, 50/60Hz
Power Consumption	6W
Dimensions (W x H x D)	481 x 175 x 371mm (18.9" x 6.9" x 14.6")
Weight	12kg (26.4 lbs.)

● ACCESSORY KIT INCLUDES

- (-) Screwdriver
- (+) Screwdriver
- EP Adaptor
- Tweezers
- Stylus Brush
- Yamaha Cleaner & Cloth
- Record Cleaner

YAMAHA Hi-Fi STEREO SERVICE MANUAL STEREO TURNTABLE MODEL YP-800



DISASSEMBLY PROCEDURES

1. BOTTOM PANEL REMOVAL

- a. Turn the set over as shown in Photo 1, being careful not to damage the top panel.
- b. Remove the 11 screws shown in Photo 1.
- c. Lift off the perforated bottom panel.

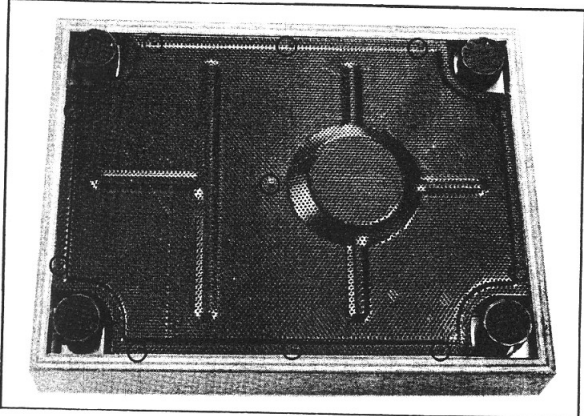


Photo 1

3. MOTOR ASSEMBLY REMOVAL

- a. Lift off the platter.
- b. Remove the bottom panel as explained above.
- c. Remove the 3 motor mounting screws shown in Photo 3.
- d. Remove the motor leads and pull off the motor.
- e. Be sure to tighten the motor screws fully when reassembling.

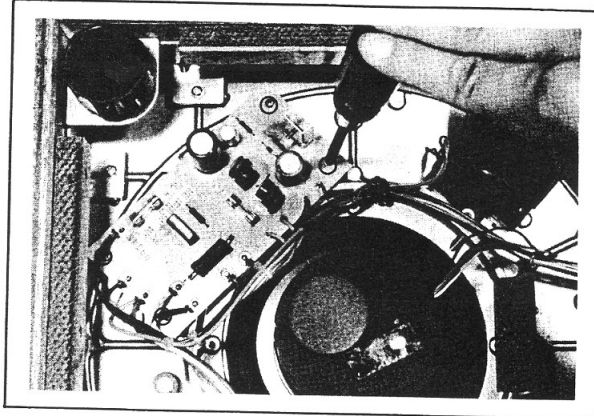


Photo 3

2. POWER CIRCUIT BOARD REMOVAL

- a. Remove the bottom panel as explained above.
- b. Remove the 4 screws shown in Photo 2.
- c. Unsolder the connected lead cords.

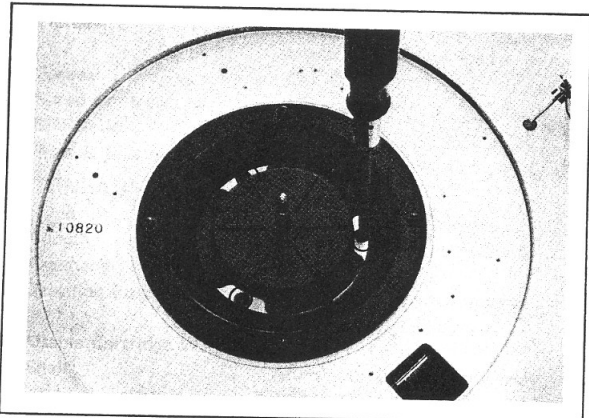


Photo 2

4. SPEED SELECTOR SWITCH ASSEMBLY REMOVAL

- a. Remove the bottom panel as shown above.
- b. Remove the 3 screws shown in Photo 4.

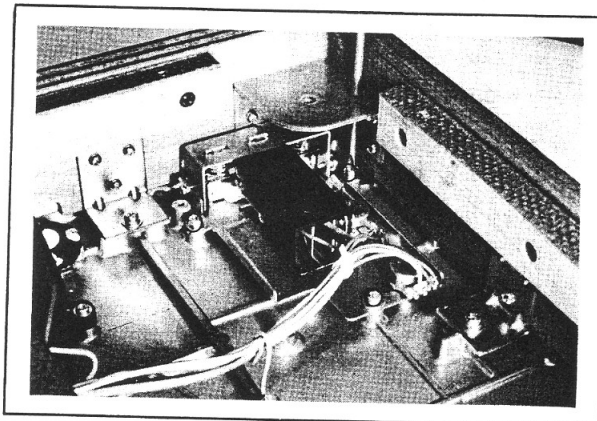
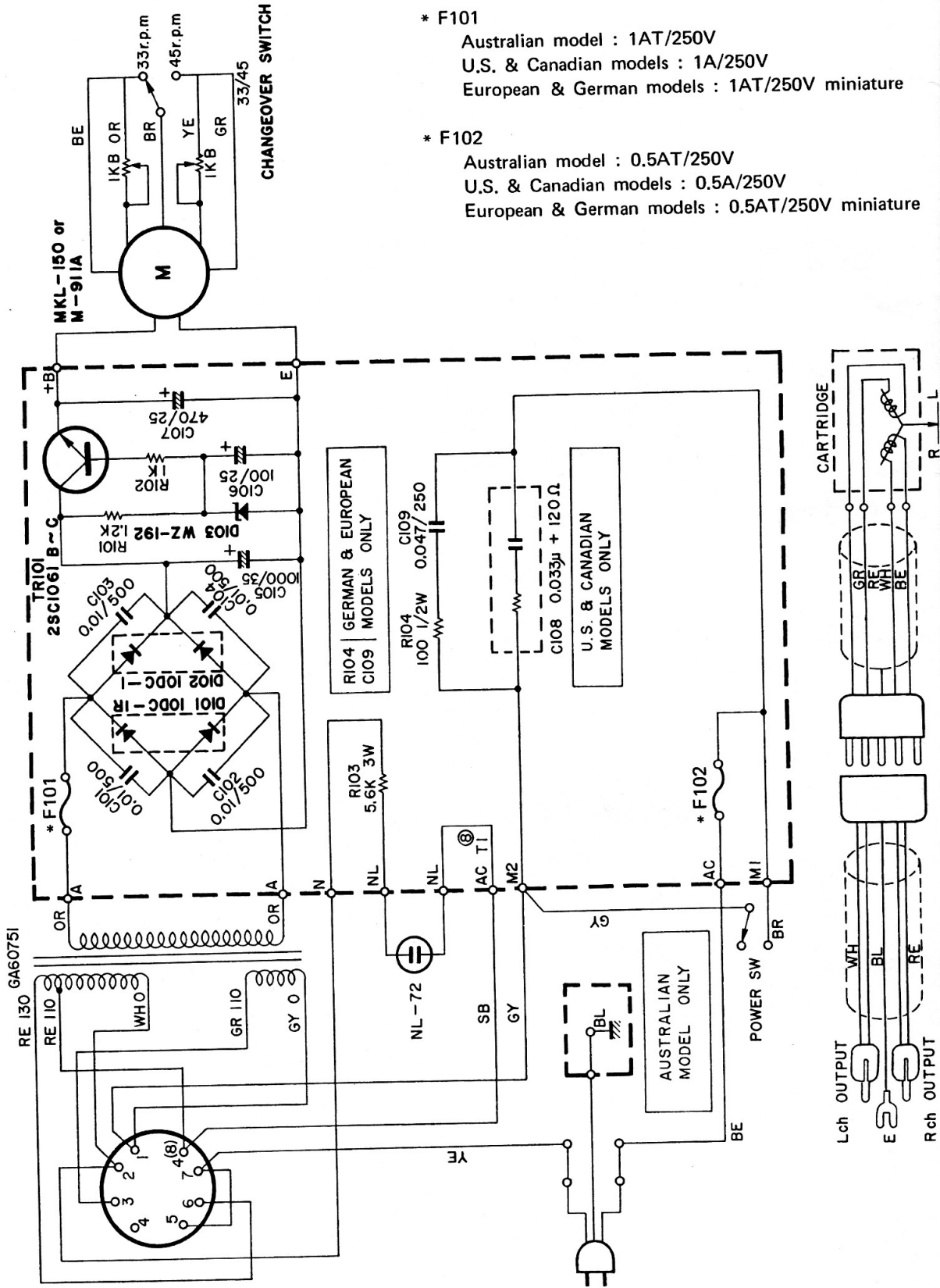


Photo 4

CIRCUIT DIAGRAM



ADJUSTMENTS

1. SPEED ADJUSTMENT

Adjustments of the motor speed within $\pm 3\%$ for each speed can be made using the special knobs. To set for proper speed, watch the appropriate line on the stroboscope and adjust so that the pattern appears stationary.

2. VOLTAGE CHECK

Check that the voltage on the power circuit board between +B and -E is $+19\pm 1V$, for proper power supply to the motor.

Make sure that the voltage supplied is within $\pm 3\%$ of that for which the voltage selector is set.

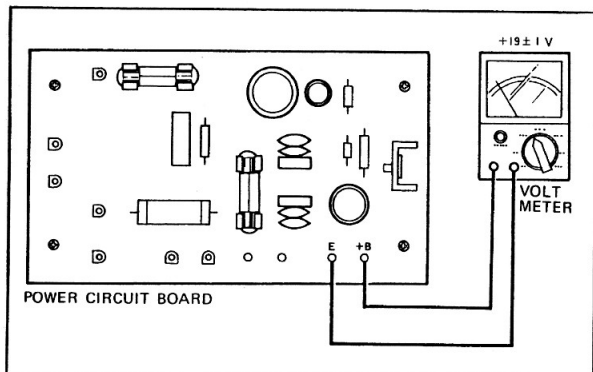


Fig. 1

3. MOTOR ADJUSTMENT

When the motor is changed, or if the speed is seriously out of adjustment, use the semi-fixed variable resistors to adjust the internal speed of the motor.

NOTE: Carry this adjustment out only after completing the adjustment described on p. 5.

- (1) Switch ON the power.
- (2) Set the Speed Control knob to its central position.
- (3) Adjust the various semi-fixed variable resistors on the bottom of the motor to achieve apparent steady stroboscope pattern.

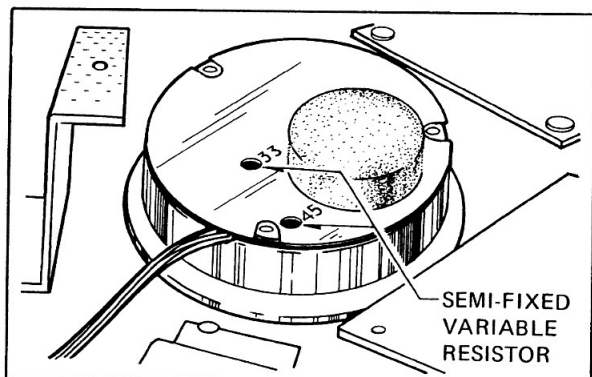


Fig. 2

4. OVERHANG ADJUSTMENT

Proper overhang for this tonearm is $15\text{mm}(19/32'')$, so the cartridge should be moved back or forward to a location which separates the stylus and center of the turntable shaft by this distance.

First take the 45 rpm adaptor out of the accessory case and slip it onto the shaft.

Then lift the tonearm over to the center of the platter, so that the cartridge is directly over the shaft. The stylus should be directly above the ring visible on the top of the adaptor; adjust if necessary. Be sure to firmly tighten the cartridge fixing screws without moving the cartridge from this setting.

5. ANTI-SKATING STRING ASSEMBLY

Use the anti-skating string to connect the roller on the tonearm pivot section shaft and the roller on the tonearm itself, as shown in Fig. 3.

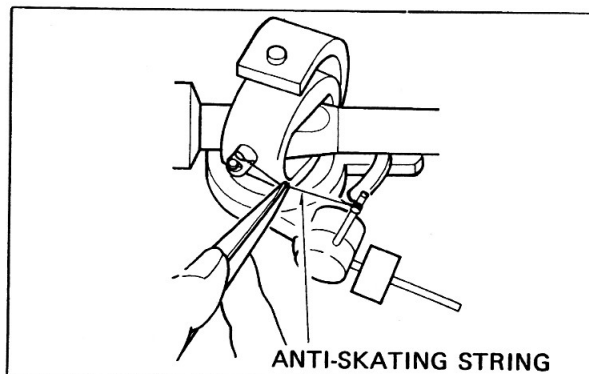


Fig. 3

6. ANTI-SKATING FORCE ADJUSTMENT

The location of the weight on the counter bar determines the force, and must be matched to the (stylus tracking force) adjustment. The position closest to the bar shaft is for a tracking force of 1.0g, and each groove closer to the tip of the bar is for an additional 0.5g; the outermost groove matches a (tracking force) of 3.0g. See Fig. 4.

For example, to match a tracking force of 1.5g, set the weight at the second groove from the shaft.

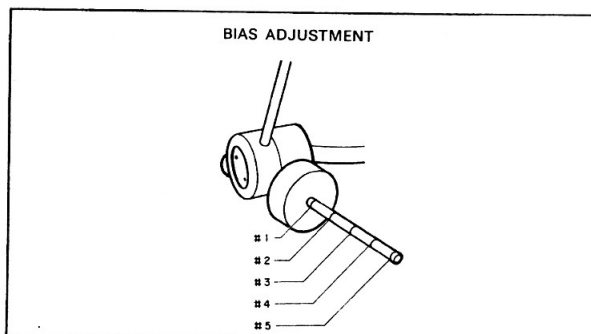


Fig. 4

7. HEAD SHELL LEAD CONNECTION

Connect as shown in Fig. 5.

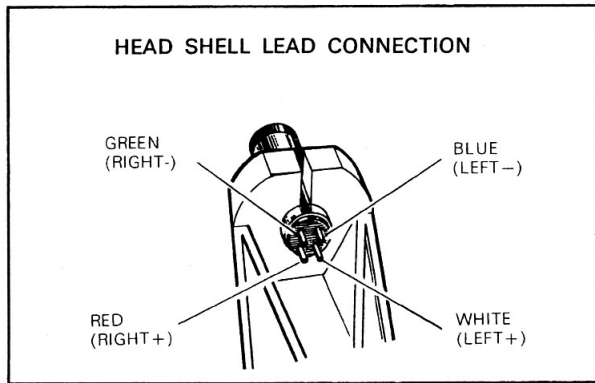


Fig. 5

8. ACRYL DUST COVER ASSEMBLY

Match the hinge parts on the cover to those on the cabinet as shown in Fig. 6, then push in the direction of the arrow.

To remove the dust cover, first push in the direction of the arrow in Fig. 6, then lift off.

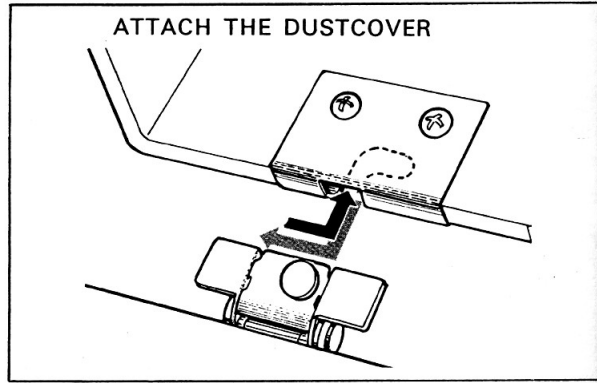
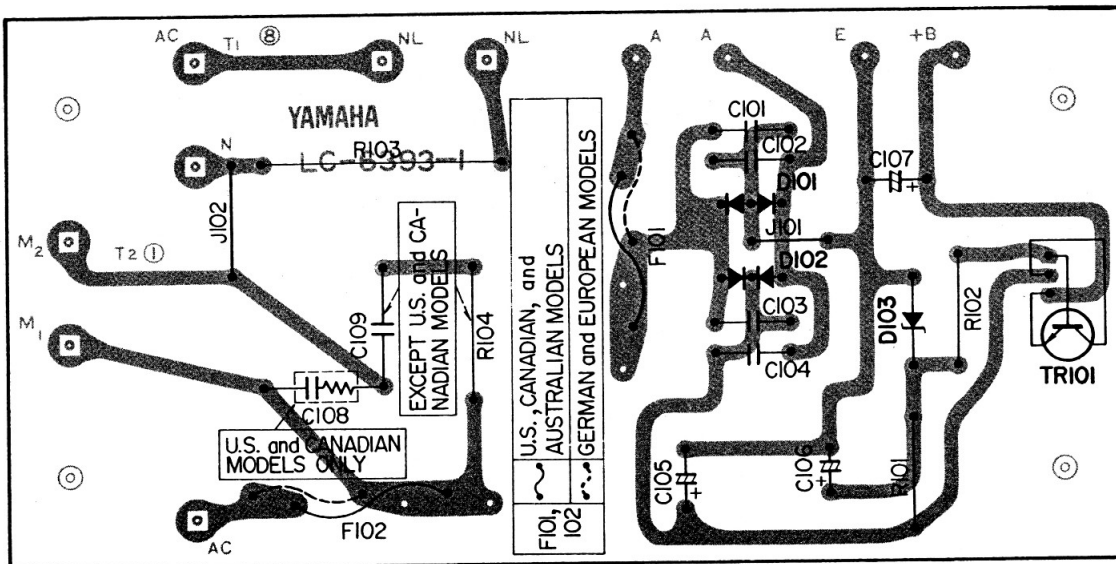
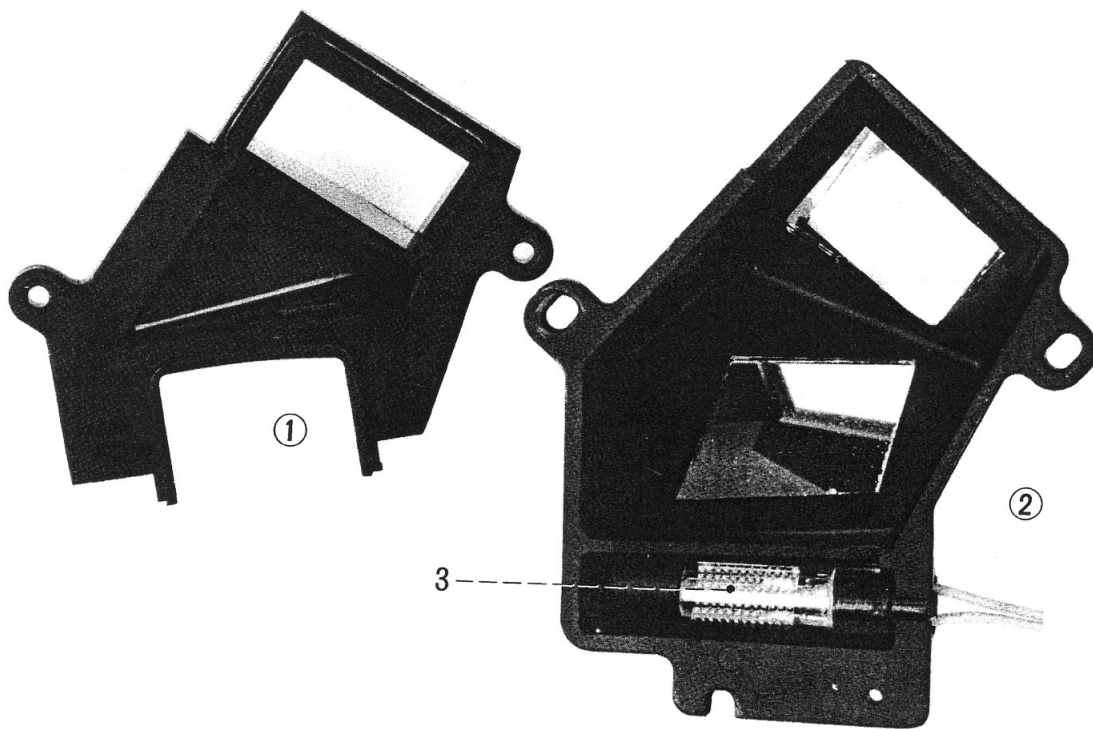
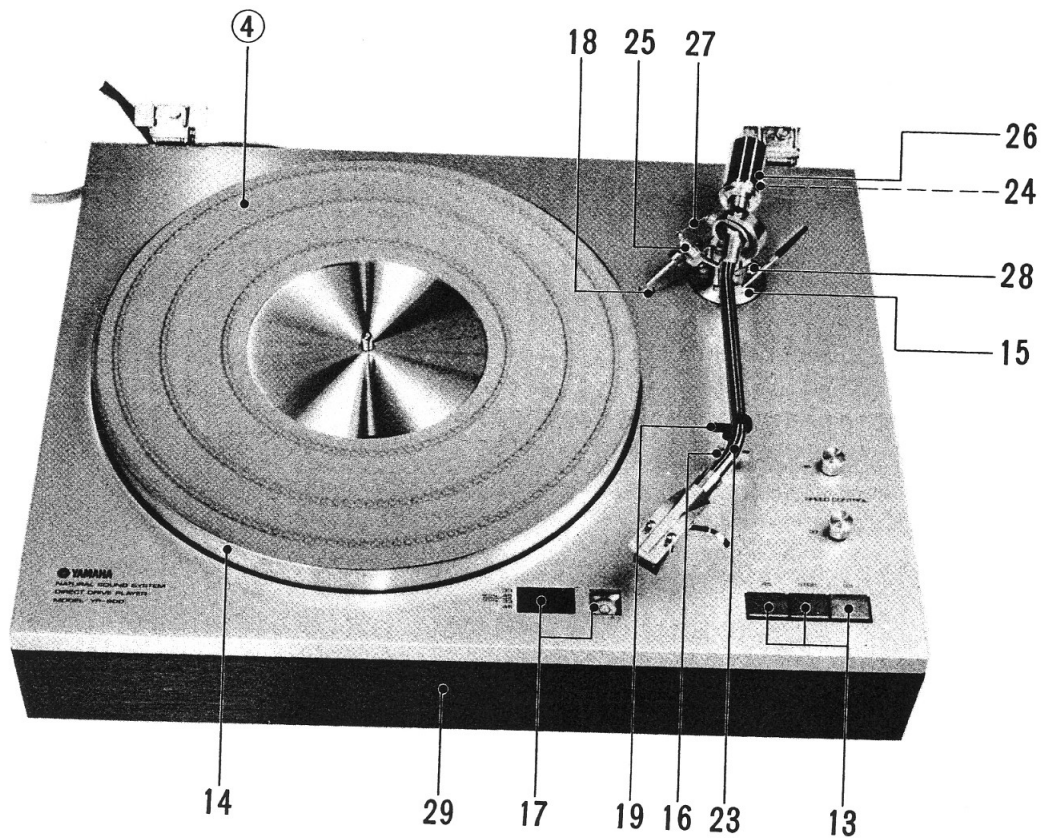


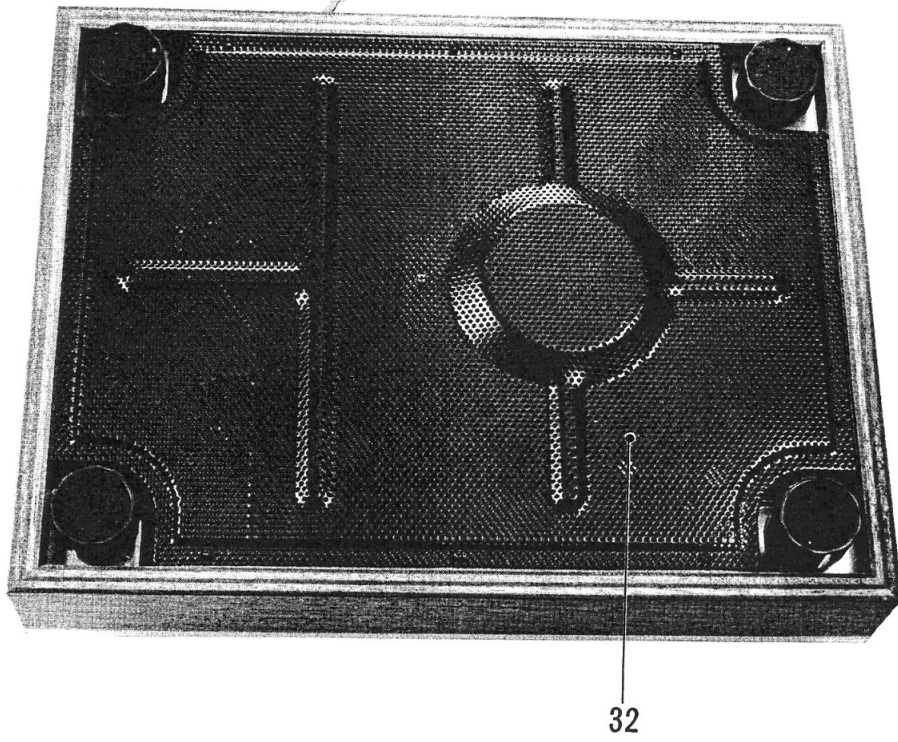
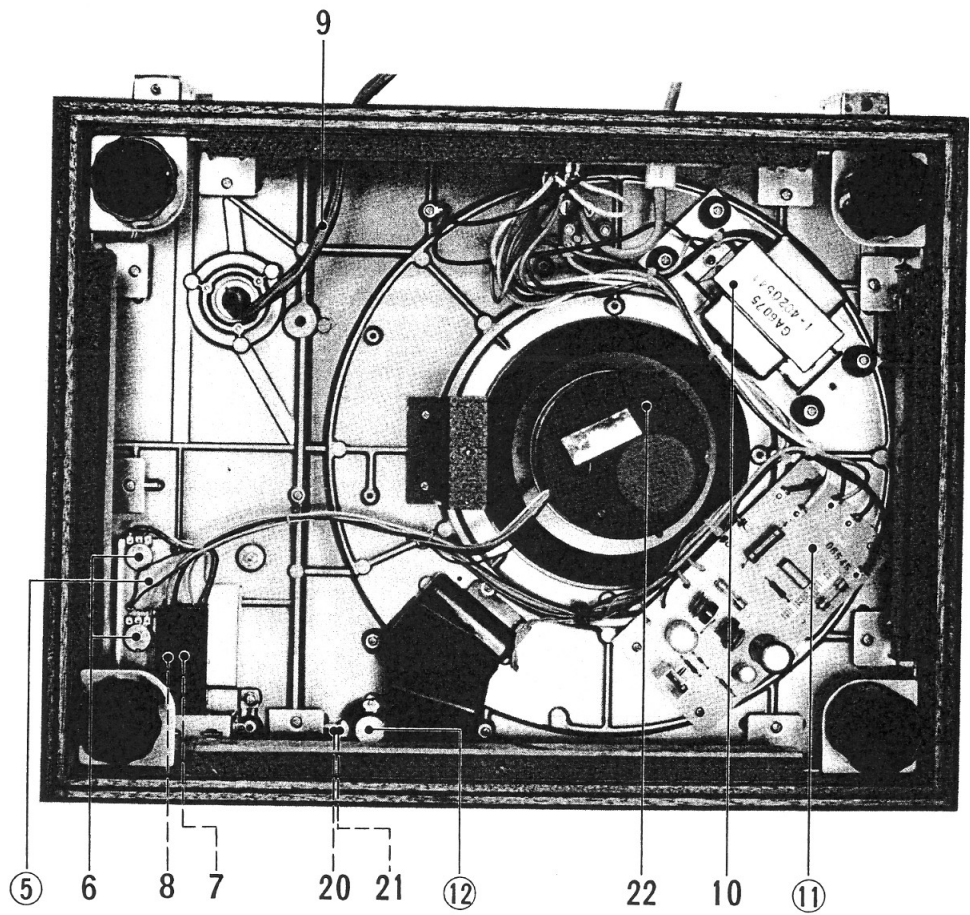
Fig. 6

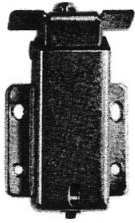
POWER CIRCUIT BOARD



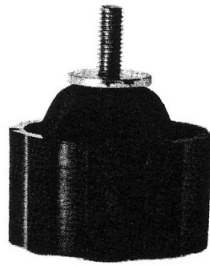
PARTS LIST



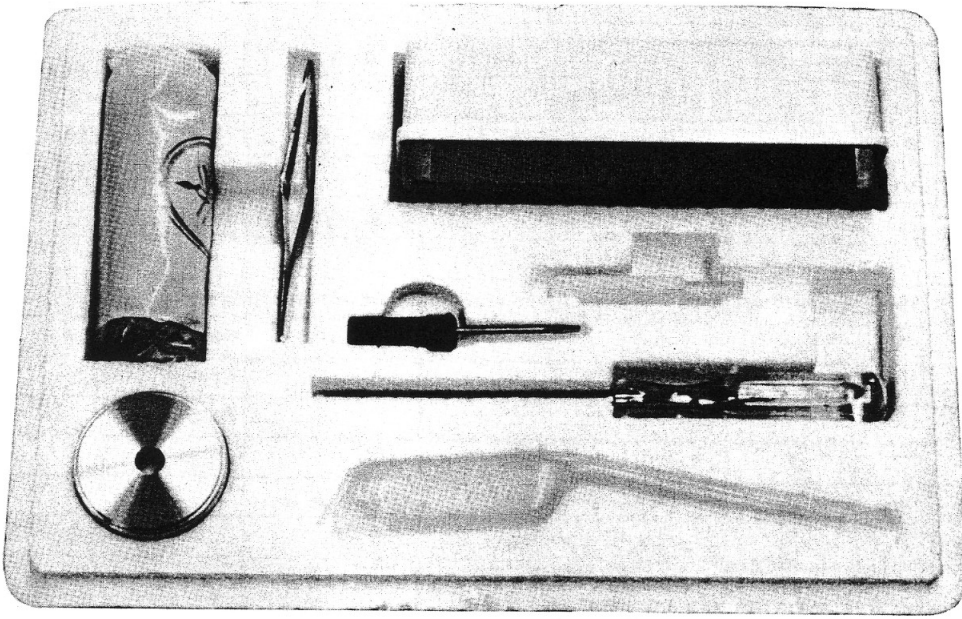




30



31



33

Ref. No.	Part No.	Description			Remarks	Common Models
①	NB06995	Strobo A Assembly		ストロボAアセンブリ		
②	NB06980	Strobo B Assembly		ストロボBアセンブリ		
3	JB00029	Neon lamp		ネオンランプ		
④	NB06981	Turntable sheet assembly		テーブルシートアセンブリ		
⑤	NB06983	Switch assembly		スイッチアセンブリ	General, U.S. and Canadian models	
	NB06984	"		"	Australian and European models	
				スイッチアセンブリ		
6	HS41023	Variable resistor VM10A	1kΩB	可変抵抗器		
7	KA60013	Micro switch		軽動作マイクロスイッチ	U.S. and Canadian models	
	KA60014	"		"	Australian and European models	
8	KA60007	"		"		
9	MZ06511	Output signal cord		出力コード		
10	GA60751	Power transformer		電源トランス	U.S. & Canadian models	
	GA60752	"		"	European model	
	LB20025	Voltage selector		電圧切換器		
⑩	NA06513	Power Supply circuit board	6393	電源シート	General model	
	NA06542	"		"	U.S. & Canadian models	
	NA06543	"		"	Australian model	
	NA06545	"		"	European model	
	HL41510	Metal oxide resistor	100Ω 1P	酸化金属抵抗		
	HL63639	"	3.9kΩ 3P	"		
	HL63656	"	5.6kΩ 3P	"		
	FZ00011	Spark killer	0.033μF +120Ω	スパークキラー	U.S. and Canadian models	
	FZ00018	" capacitor MP	0.047μF 250V	スパークキラーコンデンサー	Except U.S. and Canadian models	
	iH00008	Diode	10DC-1	ダイオード	for Service iH00014	
	iH00009		10DC-1R	"	for Service iH00015	
	iF00040	Zener diode	WZ-192	ツェナーダイオード		
	iC10613	Transistor	2SC1061	トランジスター	B or C	
	KB00031	Fuse	0.5AT 250V	ヒューズ	General and Australian models	
	KB00101	Fuse, UL listed	0.5A " SS-2	"	U.S. and Canadian models	
	KB00071	Miniature fuse	0.5AT "	"	European model	
	KB00033	Fuse	1AT "	"	General and Australian models	
	KB00102	Fuse, UL listed	1A " SS-2	"	U.S. and Canadian models	

Ref No	Part No.	Description	Remarks	Common Models
	KB00073	Miniature fuse 1AT "	" European model	
	LB20057	Fuse holder pin SN-5053	ヒューズホルダーピン	
	BA06161	Heat sink No. 6161	放熱器	
⑫	NB06720	Water level assembly	水準器アセンブリ	
	NB06724	EP adapter assembly	45アダプターアセンブリ	
13	BA06469	Knob	ツマミ	
14	BA06485	Turntable	ターンテーブル	
15	BA06560	Arm stand	アームスタンド	
16	BA06561	Rest stand	レストスタンド	
17	CB07055	Strobe lens	ストロボ窓レンズ	
18	CB07057	I.F.C. pad	I F C 受けゴム	
19	CB07054	Arm rest	アームレスト	
20	AA07487	Spring for level	水準器用スプリング	
21	BB06328	Pipe for level	水準器用パイプ	
22	JC00011	D.D. Motor MKL-15P or m-911A	D D モーター	
23	SS60020	Tone arm assembly (Without head shell and cartridge)	トーンアームアセンブリ	
24	NB06990	Weight shaft assembly	ウェイトシャフトアセンブリ	
25	NB06991	I.F.C. assembly	I F C アセンブリ	
26	NB06992	Weight assembly	ウェイトアセンブリ	
27	NB06993	I.F.C. string assembly	I F C ストリングアセンブリ	
28	NB07033	Screw for tone arm fixing	化粧ネジ	
29	3200847 0050010	Outside case	外装 A / W	
	NB06996	Top cover assembly	上蓋アセンブリ	
30	NB06608	Hinge	オートヒンジ	
31	NB06609	Insulation assembly	インシュレーターアセンブリ	
32	AA07715	Bottom cover	底板	
33	NB06997	Maintenance box assembly	メンテナンスボックスアセンブリ	